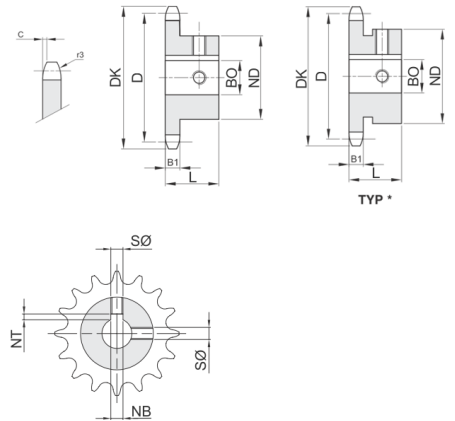


**ISO-Nr. :** **08 B-1**  
**12,7 x 7,75 mm**  
**1/2" x 5/16"**

Rollen Ø: 8,51 mm  
 Werkstoff: Stahl C45, gehärtete Zähne HRC 50  
 Beschreibung: Bohrung: Toleranz H7; Rauheit: Ra 1,6;  
 Nut: nach DIN 6885 / BS 4235  
 ausgerichtet auf Mitte Zahn;  
 2 Stellschraubengewinde



### Übersichtsmatrix Bohrungsdurchmesser > Zähnezahl

1/2" x 5/16" - 12,7 x 7,75 mm Rollen Ø=8,51 mm   B1=7,2 mm   C=1,3 mm   r3=13°					mögliche Bohrungsdurchmesser B0 (mm)														
ZZ Zähne	DK (mm)	D (mm)	ND (mm)	L (mm)	12	14	15	16	18	19	20	22	24	25	28	30	32	35	38
10	45,9	41,10	26-31	25	✓	✓	✓	✓											
11	49,9	45,07	29-37	25	✓	✓	✓	✓	✓	✓									
12	53,9	49,07	33-42	28	✓	✓	✓	✓	✓	✓	✓	✓	✓	✓					
13	57,9	56,06	37-45	28	✓	✓	✓	✓	✓	✓	✓	✓	✓	✓	✓				
14	61,9	57,07	33-48	28	✓	✓	✓	✓	✓	✓	✓	✓	✓	✓	✓				
15	65,9	61,09	33-52	28	✓	✓	✓	✓	✓	✓	✓	✓	✓	✓	✓	✓			
16	69,9	65,10	50-57	28			✓	✓	✓	✓	✓	✓	✓	✓	✓	✓	✓		
17	74,0	69,11	52	28			✓	✓	✓	✓	✓	✓	✓	✓	✓	✓	✓		
18	78,0	73,14	52-56	28				✓	✓	✓	✓	✓	✓	✓	✓	✓	✓	✓	✓
19	82,0	77,16	52-60	28				✓	✓	✓	✓	✓	✓	✓	✓	✓	✓	✓	✓
20	86,0	81,19	55-64	28				✓	✓	✓	✓	✓	✓	✓	✓	✓	✓	✓	✓
21	90,1	85,22	55-68	28				✓	✓	✓	✓	✓	✓	✓	✓	✓	✓	✓	✓
22	94,1	89,24	55-70	28				✓	✓	✓	✓	✓	✓	✓	✓	✓	✓	✓	✓
23	98,1	93,27	65-70	28					✓	✓	✓	✓	✓	✓	✓	✓	✓	✓	✓
24	102,1	97,29	65-70	28						✓	✓	✓	✓	✓	✓	✓	✓	✓	✓
25	106,2	101,33	65-70	28						✓	✓	✓	✓	✓	✓	✓	✓	✓	✓
30	126,3	121,50	75-80	30										✓	✓	✓	✓	✓	✓